

EXAMINATIONS COUNCIL OF ZAMBIA

Examination for General Certificate of Education Ordinary Level

Woodwork Paper 2 Practical Test

6030/2

Tuesday

11 JULY 2017

Additional materials:

As listed in Instructions to Supervisors

Time: 3 Hours

Mark: 100

Instructions to Candidates

Check that the following materials have been provided:

- 1 One piece 420mm long, planed to 50mm wide and 24mm thick.
- 2 One piece 260mm long, planed to 30mm wide and 24mm thick.
- 3 One polythene bag or plastic bag, in which to enclose the work.
- 4 Two name tags, one to be attached to the work and one to be tied to the bag.

Information for Candidates

- 1 This paper consists of one practical question.
- 2 A second supply of wood is **not** allowed.
- 3 Any dimensions omitted are left to your discretion.
- 4 Attempt to finish all parts of the test.
- 5 You may use any of the ordinary hand tools but the use of adhesives, glasspaper, files, rasps and scrapers is not allowed.
- 6 Additional marks may be gained if the work is lightly cleaned off with a finely set smoothing plane before being finally assembled.
- 7 All dimensions are in millimetres.
- 8 Write your Name and Examination Number boldly and clearly on **each** of the pieces of wood in capital letters and numbers 6mm high. Attach a tag with your name, Examination Number in full, Centre number, name of school and date.
- 9 Assemble your work and put it in a polythene/plastic bag before handing it to the Supervisor.

Practical Test

Instructions to Candidates

The pictorial drawing in **figure 1** shows a **FRAME OF DRESSING MIRROR STAND** and **figure 2** shows the orthographic projection of a **FRAME OF DRESSING MIRROR STAND**. Using the material prepared prior to the examination, you are required to make the portion enclosed in an ellipse. The drawings are **Not Drawn to Scale**.

The following pieces of wood, previously planed, are to be used:

One piece 420mm long, planed to 50mm wide and 24mm thick (Part A and B)

One piece 260mm long, planed to 30mm wide and 24mm thick (Part C and D)

(For the purpose of the test, some of the normal dimensions have been modified and some hidden detail omitted from the working drawings for the sake of clarity)

Working Procedure

- (a) Join Part D to Part A by means of an appropriate joint.
- (b) Apply the shaping as indicated on Part B.

Assembly Procedure

Make sure that joints fit. Do not force any parts together.

EXAMINATIONS COUNCIL OF ZAMBIA

Examination for General Certificate of Education Ordinary Level

Woodwork

6030/2

Paper 2 Practical Test

Tuesday

11 JULY 2017

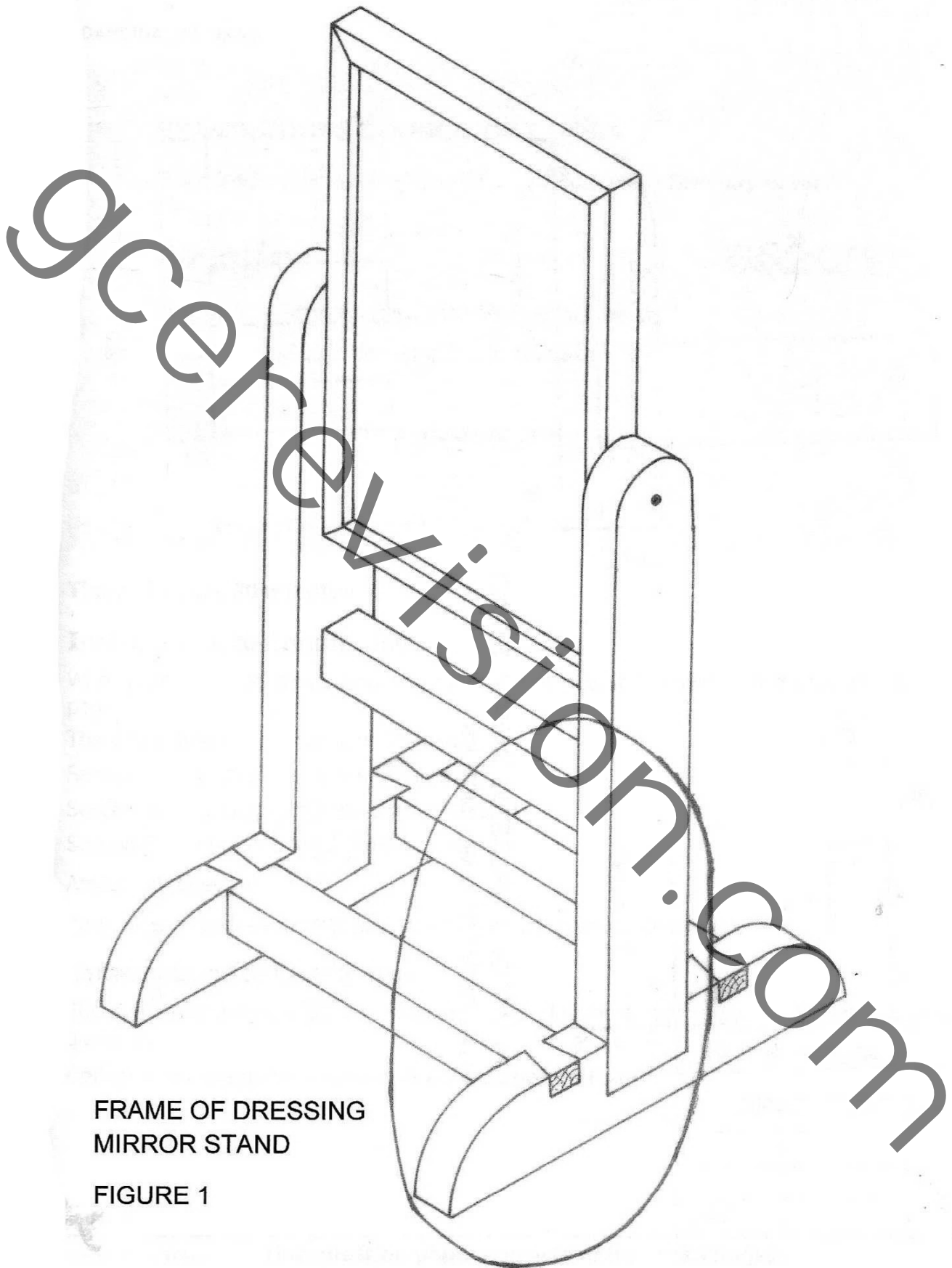
Insert

Time: 3 hours

Marks: 100

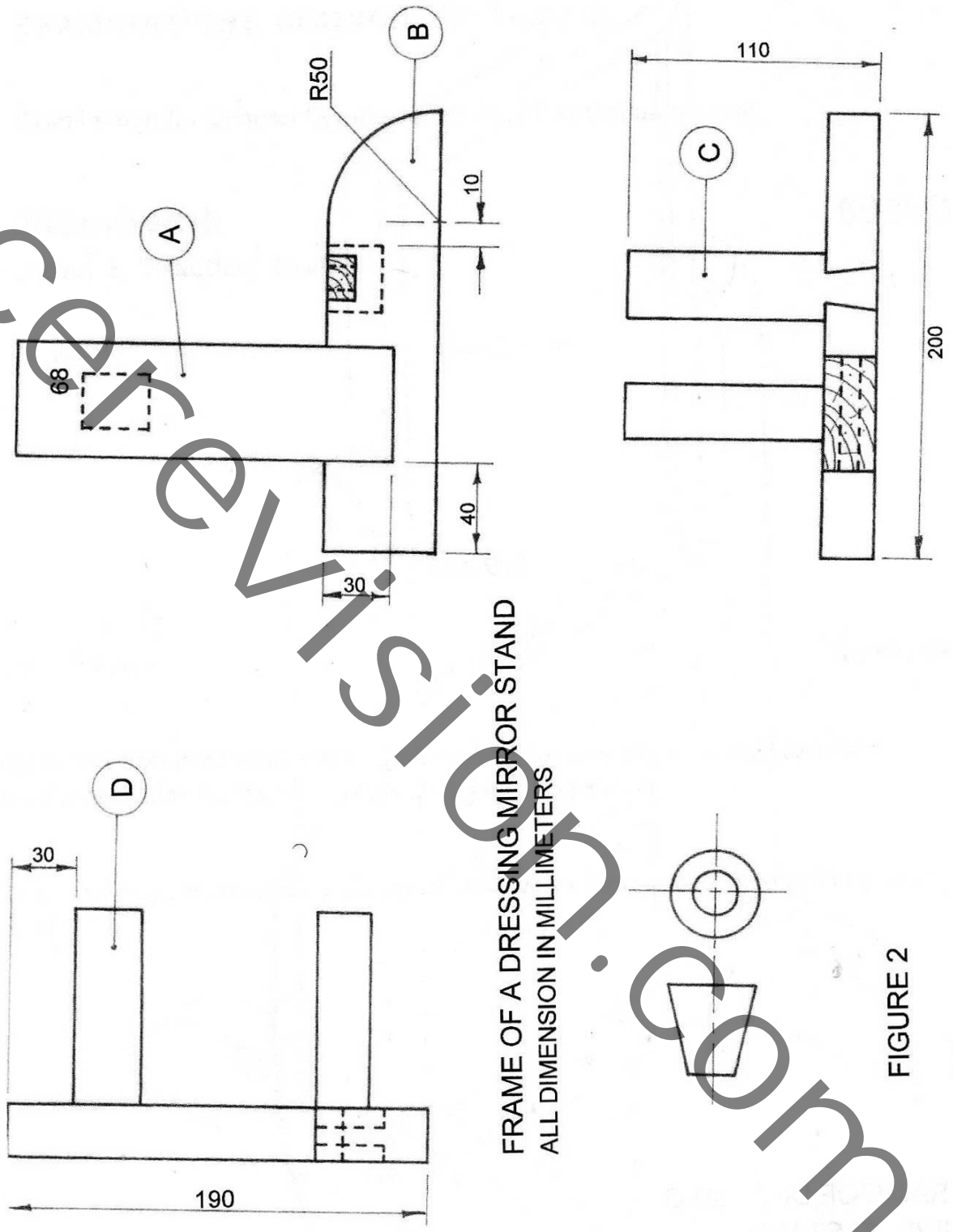
Great care should be taken that no confidential information given should reach the candidates either directly or indirectly before the examination.

This practical paper requires a knowledge of Dovetail, Mortise and Tenon and Housing Joint.



FRAME OF DRESSING
MIRROR STAND

FIGURE 1



FRAME OF A DRESSING MIRROR STAND
ALL DIMENSION IN MILLIMETERS

FIGURE 2