

Textile Technology and Equipment 2
7180

GENERAL CERTIFICATE OF EDUCATION BOARD
Technical and Vocational Education Examination

JUNE 2025

ADVANCED LEVEL

Specialty Name and Acronym	CLOTHING INDUSTRY – CLIN
Subject Title	Textile Technology and Equipment
Subject Code No.	7180
Paper No	2

Duration: Three Hours

INSTRUCTIONS TO CANDIDATES

Answer ALL Questions.

Read carefully through the question paper before answering the questions.

You are reminded of the necessity for good English and orderly presentation in your answers.

1. Beads are one of the dressing accessories frequently used in today's fashion.

- A) Define beads.
 B) i Cite five (5) types of beads starting their origin.
 ii Present the production process of each.
 C) State three (3) characteristic of a lead crystal bead.

(2 marks)
 (10 marks)
 (10 marks)
 (3 marks)

2.

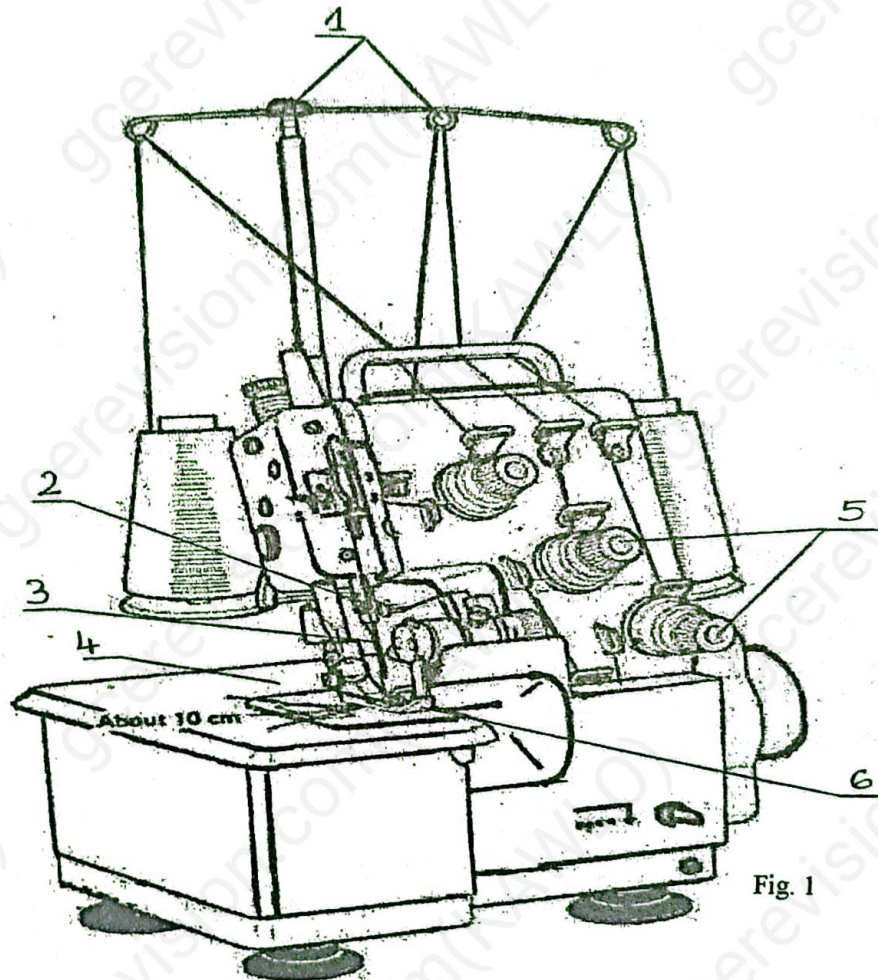


Fig. 1

A) i Propose two names for fig.1 above.

ii Identify the parts of fig. 1.

iii Outline six (6) functions of the above diagram.

B) Describe the procedure of the formation of a stitch on the diagram above.

C) Enumerate five (5) uses of the above diagram, giving examples of articles on which they can be applied.

(2 marks)
 (6 marks)
 (6 marks)
 (6 marks)
 (5 marks)

3. Few days after Mme Tita got her new cat, she realized that her cat preferred lying on the sofa (coach) every time it feels sleepy. Then she finally discovers that: foams are mostly used to achieve soft and comfortable feeling on garments and household furniture.

- A) Define foam. (1 mark)
 - B) Identify four (4) properties of foam. (4 marks)
 - C) State ten (10) uses of foams and identify where they are applicable. (10 marks)
 - D) In not more than seven lines say how to care for a fabric made with foam. (10 marks)
-

4. Every part of the sewing machine has an important role to play especially for the formation of stitches. To better handle the machine, the knowledge on the functioning of all parts is a call for concern.

- A) Draw and label a throat plate. (10 marks)
- B) Explain the functions of each part of the throat plate. (6 marks)
- C) Some sensitive parts of the sewing machine can influence the machine stitch tension negatively.
 - i Outline 3 of these parts and explain how they affect the stitch tension during formation. (9 marks)
 - ii Propose a remedy of the above mentioned fault so as to avoid the re-occurrence. (3 marks)